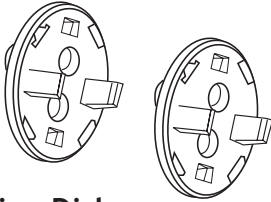


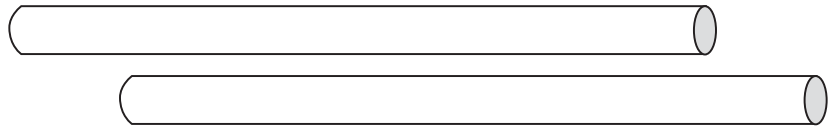
How To Splice Your Fiberglass Rod

www.DraperySewingSupplies.com

You will need the following items:



2 Rod Splice Disks
to splice 2 rods together

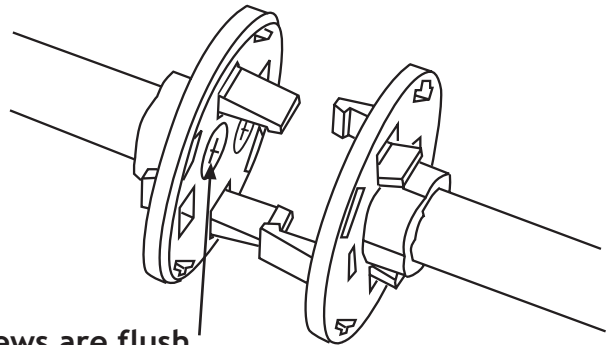


2 Fiberglass Rods

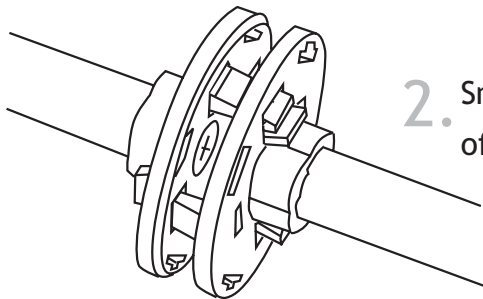
PLUS:

(4) 1/4" screws to attach the
drive disk to your fiberglass rod

1. Insert one end of a fiberglass rod into a rod splice disk. Make sure the rod is fitted tight into the disk and that the disk is square to the rod. Screw 2 screws into the holes of the disk until the screws are flush with the disk. Repeat for the second disk and rod.



Screws are flush
with the disk and do not protrude.



2. Snap the 2 disks together by pushing the prongs of one disk through the holes of the other disk.

3. Keep pushing until the disks snap together.

